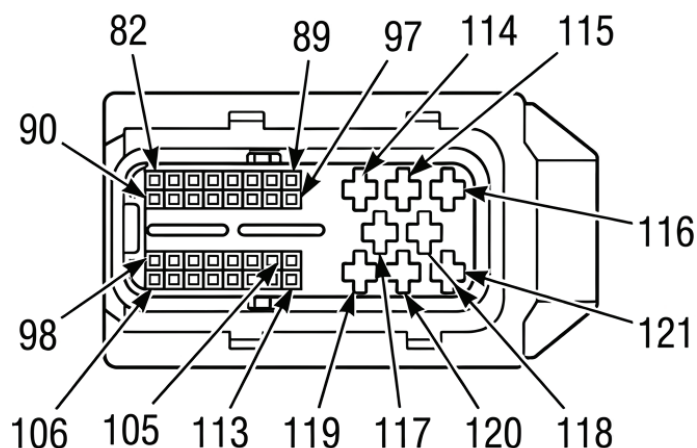
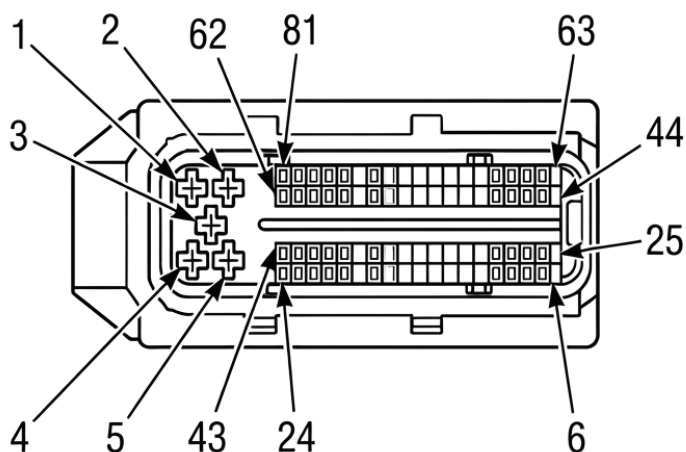




LB7 Alternate Firing Cam Wiring Instructions

- **Factory Firing Order: 1-2-7-8-4-5-6-3**
- **Alternate Firing Order: 1-5-6-3-4-2-7-8**



Injector Command Wires for injectors 2, 5, 7, 6, 8, 3 need to be switched at the fuel injector control module, FICM.

For 6 & 7:

Swap FICM Connector **Pin 59** (Light Green / Purple) with FICM Connector 1 **Pin 61** (Light Green / Orange) and swap Connector 1 **Pin 60** (Light Green / Purple) with Connector 1 **Pin 62** (Light Green / Orange)

For 3 & 8:

Swap FICM Connector 2 **Pin 115** (Light Green / Black) with Connector 2 **Pin 120** (Light Green / Green)

For 2 & 5:

Swap FICM Connector 2 **Pin 116** (Light Green / Red) with FICM Connector 2 **Pin 121** (Light Green)

